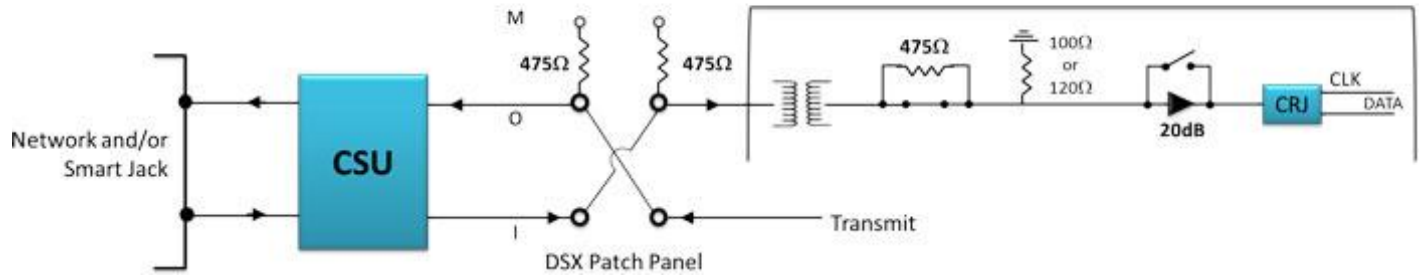


# Terminate, Bridge, Monitor Design of tProbe™

tProbe™ design provides Terminate, Bridge, and Monitor connection options for T1 E1 signals

**Terminate Design** – This is the standard connection for direct connection to a T1 E1 line, as shown below. Generally the signal level should be around 0 dBdsx.

## Terminate Mode

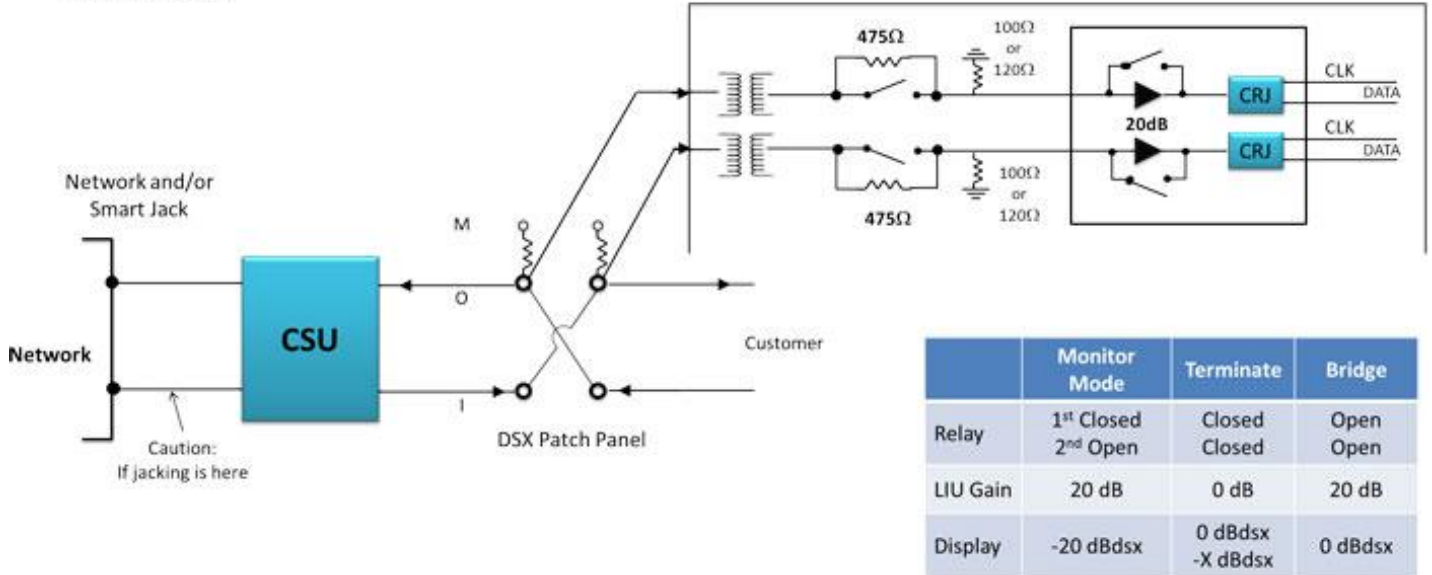


**Bridge Design** – This is used for situations when a monitor (DSX-1 patch panel) is not available. Typical cable and schematic of GL's tProbe™ is shown below.



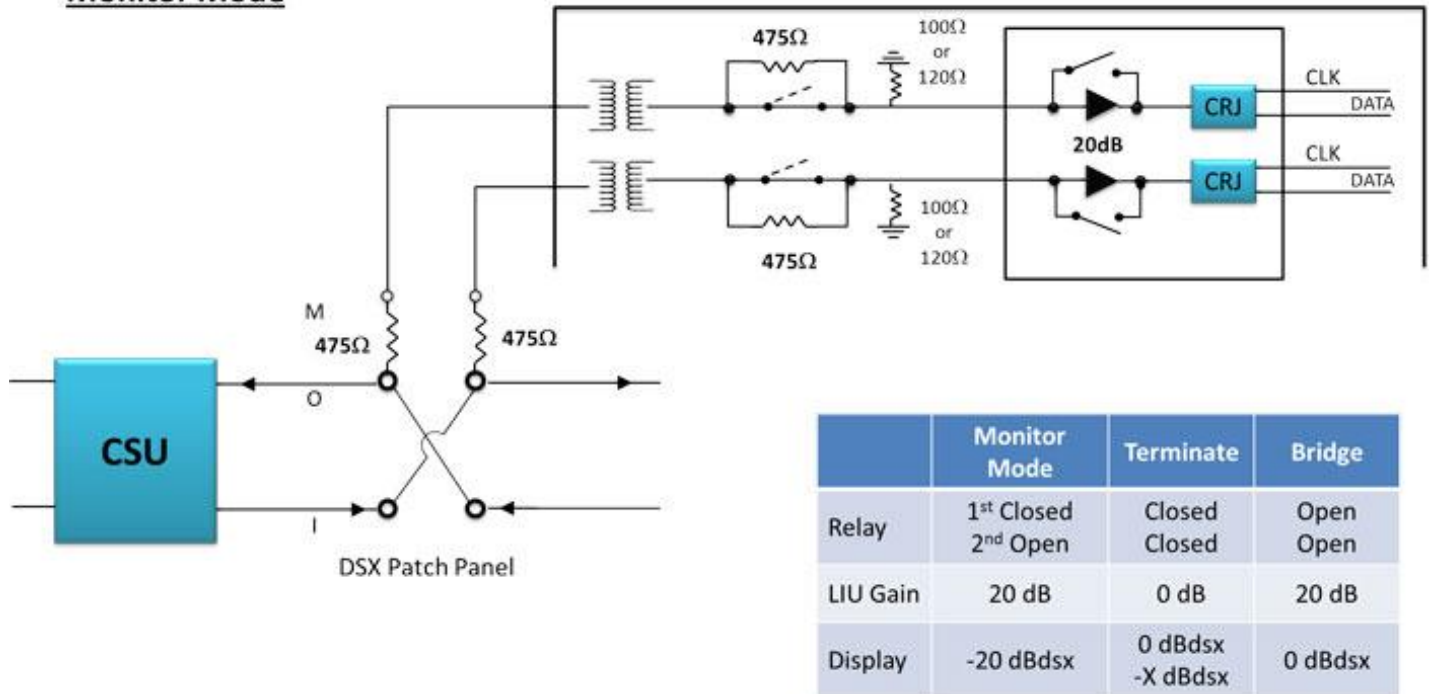
Y-Bridge cable

## Bridge Mode

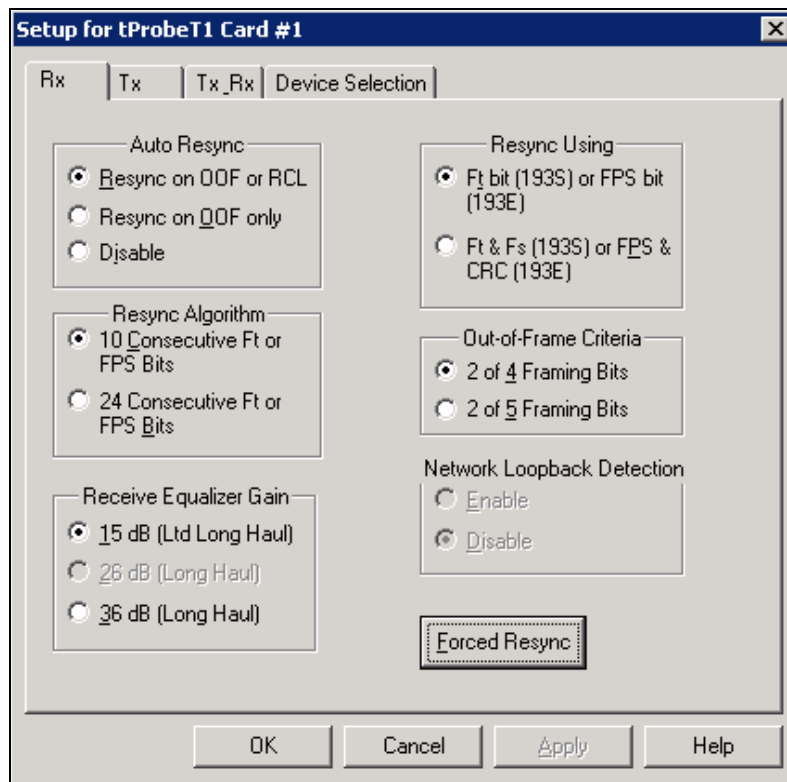
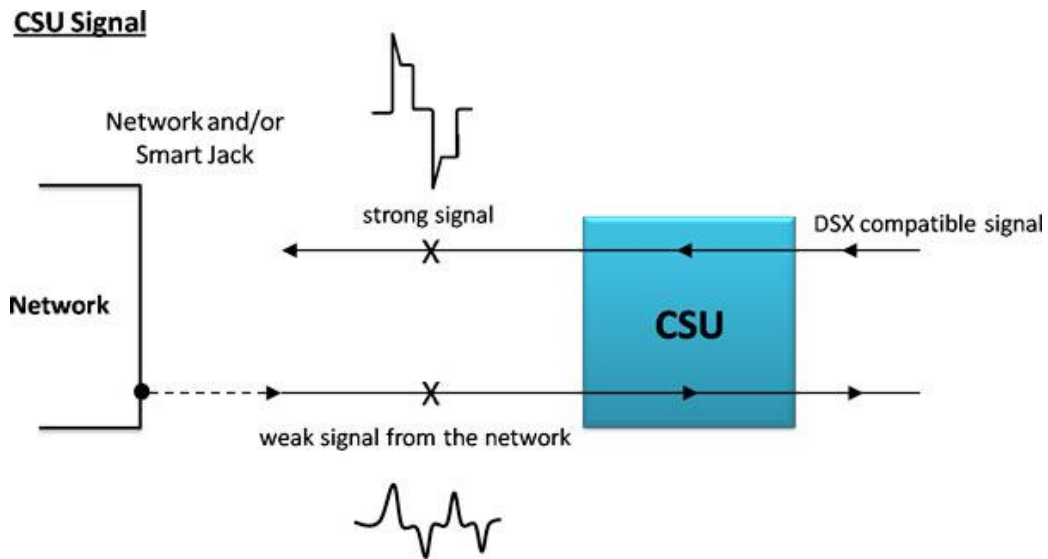


**Monitor Design** – This is used when a monitor (DSX-1 patch panel) is available for patching and monitoring. Typical cable and schematic of GL's tProbe™ is shown below.

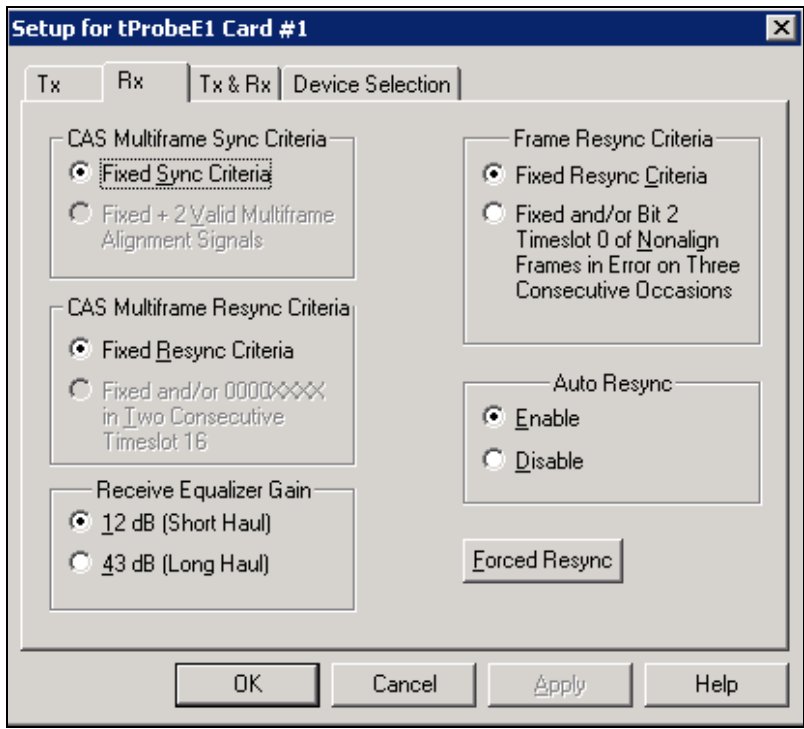
## Monitor Mode



**Additional Considerations** – Sometimes it is not convenient to connect to the right of the CSU, or there is no DSX patch panel (see illustration below). When connecting to the left of the CSU (nearer to the network), the signal from the network may be weak. In this case, the tProbe™ provides “receive equalizer gain” settings that can be used to adjust to weak signal conditions, i.e. “15 dB long haul” and “36 dB long haul”. See below screen shots.



tProbe™ T1 Rx Parameters



tProbe™ E1 Rx Parameters